



STOVES

INTERNATIONAL



By appointment to The Royal Danish Court

morsø

The definition of hygge

CONTENTS

History.....	4
Morsø makes homelife better	6
The original cast iron stove.....	8
8800-series	10
8200-series.....	12
8100-series.....	14
7900-series.....	16
7800-series.....	18
7600-series.....	20
7400-series	22
7300-series.....	24
7110.....	26
6600-series.....	27
6800-series.....	28
6100-series.....	30
5660.....	32
5400-series.....	33
3600-series.....	34
3440.....	35
3100-series.....	36
2100-series.....	37
1600-series.....	38
1126.....	39
1400-series.....	40
2B-series.....	42
S10-series.....	44
S11-series	46
S50-series	48
S80-90	50
S81.....	51
Technical data	52
Hearth plates	67
Environment.....	68
Original accessories.....	70



A LONG HISTORY - TOLD IN BRIEF

The history of Morsø Jernstøberi dates all the way back to 1853, when business graduate, N. A. Christensen, started his own iron foundry on the Limfjord island of Mors. In the first few years, the small handful of employees manufactured everything from barn windows and memorial crosses to cooking stoves, pots and pans.

However, N. A. Christensen wasn't just your usual business man. With his well-honed talent for good business and his many creative and forward-thinking ideas, he quickly succeeded in turning the company into one of the country's leading iron foundries, and towards the close of the century, Morsø's cast goods were well-known throughout the country. Especially the popular solid fuel stoves and cooking stoves, which had now become the company's most important brand.

Royal warmth

At the turn of the century, Morsø began supplying heating systems to churches, schools and a number of public buildings, including the state railways and various ministries. And at the start of the 1900s, the popular imperial-style stoves found their way into the royal apartments at Amalienborg. In 1915, various stoves had already been supplied to the palaces at Amalienborg and to several other royal residences, and the company was therefore bestowed the prestigious title of Purveyor to His Majesty the King by King Christian X. Later, in 1969, the title was changed to Purveyor to the Royal Danish Court.



Always in front

Right from the earliest years, development and innovation have been an important driving force for Morsø Jernstøberi. Various history-making products and principles have, therefore, put the beautiful island in Limfjord on the map. For example, the convection principle, which at the turn of the new century was developed in cooperation with other foundries, and which has set completely new standards on how efficiently and especially how comfortably we can heat our homes with a solid fuel stove.

When central heating and, therefore, radiators began

to make their mark in Danish homes in the 1950s, the solid fuel stove was out of fashion. But Morsø showed once again that it had its finger on the pulse, when the revolutionary open fireplace stove, the 1122, was launched. In so doing, Morsø opened up a completely new market and a completely new way of making life warmer. In two senses of the word.

In summary, Morsø has, step by step, led the way in both new designs and new ways of combining form and function; efficiency with beauty and comfort – and also in recent years with environmental awareness.



MORSØ MAKES HOME LIFE BETTER

For more than 160 years, Morsø has spread warmth through our homes, creating special moments of pure happiness, closeness, peace of mind and comfort. When you eventually put this catalog down, the likelihood is you'll be sold. You'll have fallen for Morsø's timeless look. You'll have fallen in love with cast iron's unique properties. And you'll be convinced of our products' obvious advantages for the environment.

But believe us – when you describe your relationship with your Morsø in the future, it won't be the design, the cast iron or its green-friendly impact which will fuel your fondness. By then, it has been an indispensable part of your home. A trusty source of heat, you will love for ease of operation, and the glow of the fire. To choose a Morsø stove, a Morsø pot or an outdoor oven is, in other words, to make a choice for life.



Morsø Outdoor living - Feel at home outside

With Morsø Outdoor living we turn up the heat on entertaining outdoors. We have developed a unique collection that makes outdoor living more comfortable, more beautiful and dare we say it more decadent. Yes at Morsø we love fire. We love the way everyone is naturally drawn toward the fascinating, seductive dancing flames. Based on strong traditions, we have created an innovative outdoor world for you, your family and your friends to enjoy, time and time again.

Morsø Cooking & Dining

Going back 160 years Morsø has created cookware in cast iron and demonstrated its superiority as a material for the noble art of cooking over many decades. Morsø has now produced a new stylish series of cookware in functional cast iron pots and pans in beautiful Scandinavian design. We want to make home life better.



THE ORIGINAL CAST IRON STOVE

If you asked 100 random Danish people to name a make of stove, more than 90 of them would without doubt say “Morsø”. With good

reason. For generations, Morsø has been the quintessence of a Danish stove. Timeless and modern at the same time.

WORTH KNOWING ABOUT CAST IRON

All stoves want to expand as they get hot. However, cast iron has a thermal tension, which makes the material especially well suited to changing temperatures. The result is that a Morsø cast-iron stove will burn the same tomorrow as it does today.

Morsø's cast iron stoves are not welded but are bound with gasket materials and the plates are bolted together. This gasket material will cushion the expanding plates, for less stress on the castings and will insure that the air tight integrity of the seems is maintained so that there will be less maintenance over the life of the stove.

Cast iron is highly resistant to overheating.

The thickness of the cast iron we use at Morsø ensures that our cast iron stoves retain the heat for a long time.

The ability of cast iron to distribute the heat is high. This means that the heat from a Morsø cast-iron stove always feels comfortable and pleasurable to be near to.

You receive a 10-year guarantee against casting faults and other production faults according to Morsø's warranty conditions.

8800-SERIES

The **Morsø 8800** series is one of the most powerful Morsø stoves. Tall and handsome in cast iron, this trusty source of comfort will spread warmth and comfort time and again. It can be supplied with a pedestal plinth, with a drawer or an open plinth with space for firewood. The door handle stays cool during use, and the door is self-closing and easy to operate.

Heats up 45 - 120 m²



8842 - drawer



8843 - open base



8848





STEINBERG

LOUISIANA

8200-SERIES

The **Morsø 8200**, with its spectacular view of the flames, has been further developed from the highly popular Morsø 8100 stove series and is guaranteed to make an impression with its top performance and stylish and modern look. The **Morsø 8200** stands out with elegance and lightness in the room, while the log store acts as a decorative base for the stove. The beautiful view of the flames is emphasised by the gold-tinged vermiculite, cast with the legendary Morsø squirrel on the baffle. Morsø 8229 and Morsø 8259 is equipped with a baking oven, which can be used for cooking and heating up various dishes.

Heats up 45 - 120 m²

8243 - open base



8229 - bake oven



8259 - bake oven & soapstone



8140



8148



8142 - drawer



8170



8145 - sandstone



8190



8150 - soapstone



Top module for all
8100 models



8100-SERIES

The **Morsø 8100**-series has a clean and simple design, where the combination of soft, rounded contours and simple details give the stove a light and timeless look. This guarantees you a classically beautiful stove that will last for decades, while the cast iron's raw and living structure will provide both a rustic and exclusive tone.

Heats up 45 - 120 m²



8143 - open base



7943 - open base

7900-SERIES

With the **Morsø 7900-series**, Morsø has worked with the designer Monica Ritterband to develop and create a new series of cast iron wood-burners, whose functionality and design suit any home - and of course with quality as the key.

The **Morsø 7900-series** is an innovative design based on a modular system, that makes it possible to customise each wood-burning stove to suit individual needs, both in terms of design and functionality.

Heats up 45 - 120 m²



7940



7948



7950
soapstone top



7970 - wall mounted



7990
open base



7943
plain base



7943
drawer



Low heat storage
for all 7900 models



High heat storage
for all 7900 models

7840



7800-SERIES

Morsø 7800 is a modular stove series with clean and simple lines where the combination of simplicity and a well-proportioned design give the stove a classic and timeless expression. The **Morsø 7800**-series, among other things, is characterised by a large fire chamber with an unusual high capacity. The new self-closing locking mechanism is extremely convenient and user friendly. The sleek design of the **Morsø 7800** differentiates itself from the 7900-series by utilising cast iron in preference to the glass side panels.

Heats up 45 - 120 m²



7848



7850
soapstone top



7870
wall mounted



7890
open base



7843
plain base/
drawer



7843
open base



Low heat storage
for all 7800 models



High heat storage
for all 7800 models

7600-SERIES

The **Morsø 7600**-series has its own unique character – its spherical shape, feminine transitions and the large door glass. These unique design elements provide the stove with a personal style and a soft organic touch, yet still produced in the robust and almost indestructible material cast iron. The **Morsø 7600** wood burning stove is a work of art not unlike a living being, warming your house, your body and soul. The **Morsø 7600** series is based on the convection principle, ensuring wonderfully clean and efficient combustion.

Heats up 45 - 120 m²



7642



7644



7650 - soapstone



7690



7648





7440



7442 - drawer



7443 - plain base



7448



7470 - wall mounted



7493 - open base

7400-SERIES

Morsø 7400-series takes the best qualities of modern wood burning stoves and uses them to give the consumer a modern take on a classic design. At the same time the series celebrates Morsø's 160th anniversary and, for the first time, presents the newly redesigned Squirrel motif. This motif decorates the matt black side of the stove and emphasizes the quality finish whilst celebrating our 160 year history as the leading manufacturer of high quality wood burning stoves.

Heats up 45 - 105 m²



7443 - open base



7370 - wall mounted



7300-SERIES

The **Morsø 7300**-series invites the homeowner to choose a style for the room. If the woodpile is to create an atmosphere, choose a model with a wood magazine, which allows the light wood to be visibly on display through a glass screen. If, instead, the style is one of discreet charm, choose a model with a drawer, which elegantly slides in to form part of the stove's black look

Heats up 45 - 105 m²



7340



7342 - drawer



7343
plain base/
open base



7348



7393 - open base



7110

The **Morsø 7110** wood stove, like all Morsø cast iron stoves, has a very large glass panel without any interfering bars and a superior air wash system to keep the glass clean for an unobstructed view of the fire. Designed with Scandinavian simplicity, the **Morsø 7110** with sharp edges and straight lines are combined with classical American elements such as

the horizontal design and distinct profiles in the top and bottom plates. Whether you have a contemporary-designed home or a classical one, the **Morsø 7110** will seamlessly blend in to make your home cozy and warm.

Heats up 60 - 135 m²



6643 - open base

6670 - wall mounted



6600-SERIES

With the **Morsø 6600** series of stoves, the renowned Morsø brand has successfully produced a stove that sets entirely new standards and captivates onlookers with a surprising elegance and lightness. What's more, the view of the flames is bigger than it has ever been before. The stoves elliptical shape is complimented by a unique double door maximising the glass area. This provides a

spectacular 180 degree view of the flames. The beautiful view of the flames is further enhanced by the gold tinted vermiculite that, like the stoves internal background view, is decorated with the legendary Morsø squirrel on the baffle – proof that this is a genuine Morsø stove.

Heats up 45 - 120 m²

6800-SERIES

The **Morsø 6800**-series is Morsø's well-loved ellipse cast iron stove with an elegant rounded-off top that emphasises its organic shape. The beautiful rustic cast iron suits and enhances any home. Deep in the heart of the stove the famous squirrel can be seen, bringing joy and warmth with the aid of the flames. The door handle stays cool during use, and conceals an elegant solution with a self-closing door.

Heats up 45 - 90 m²



6848



6870 - wall mounted



6843 - open base





6140



6141



6148



6143 - open base



6150 - soapstone



6143 - plain base



6170 - wall mounted

6100-SERIES

The **Morsø 6100-series** fans the flames. The stove's unique combustion system helps ensure a higher temperature in the combustion chamber, which means it burns off the flue gases. This provides you with a cleaner and more environmentally-friendly combustion and a higher level of efficiency, guaranteeing you good fuel economy. Furthermore, the elegantly designed glass door and hidden mountings provide a good view of the fire and flames. The **Morsø 6100-series** are 80.1% net efficient with almost no smoke emissions.

Heats up 45 - 90 m²



Low heat storage
for all 6100 models



High heat storage
for all 6100 models

6190



5660 - with glass front



5660

The **Morsø 5660** is an advanced fireplace insert, which fully lives up to our craftsmanship traditions. The design is strict, modern and stylish, while the cast iron's raw and living structure gives the insert a rustic tone. Our innovative insert has an advanced combustion system supplied with tertiary air, enabling the stove to comply with

the strictest, modern requirements for environmentally-conscious heating. The fireplace has an extra large combustion chamber which can accommodate logs of up to 50 cm – for those cold winter evenings.

Heats up 60 - 120 m²

5660 - without glass front





5443 - open base

5400-SERIES

The **Morsø 5400**-series takes its inspiration from the heavy machines in our old factories, melded with a modern form idiom with clean lines and a large glass area. All in all, we have linked it back to the old Morsø tradition, through historical details

from old classic stoves. The result is a new stove in cast iron, which provides a bridge in pure design between tradition and innovation

Heats up 45 - 120 m²

3610



3600-SERIES

The **Morsø 3600** radiant stove is a large, well designed heat source perfect when you need to heat a large area. This cast iron stove is designed by the well-known, english design company, Studio Levien. The stove has an additional side door for convenient loading. A classic

Morsø design, this cast iron beast will watch over your home like a tame dragon. An optional outside air kit is available for this model.

Heats up 90 - 210 m²

3640





3440 - plain sides

3440 - squirrel



3440

We designed the **Morsø 3440** stove together with the well-known, English design company, Queensbury Hunt Levien, retaining the classic Morsø lines and stylish look, while also integrating an advanced combustion system. The wide

door with large stove glass provides a wonderful view of the flames, helping create both mood and heat in the home.

Heats up 60 - 105 m²



3142

3100-SERIES

Following a thorough, technical upgrade and a face lift, the stove stands out with a contemporary, elegant look and meets all the latest combustion principles. With the **Morsø 3142** we are continuing all the best points from the classic Morsø stoves.

The stoves are equipped with state-of-the-art tertiary combustion system, and the large glass panel provides beautiful unobstructed viewing.

Heat up 45 - 90 m²

3112





2110

2140



2100-SERIES

Nostalgic look, glowing with English charm. The cast-iron stove, which is very spacious and effective, was the creation of the English designers, Queensbury Hunt. Together with the English designers, we have created a powerful stove, which is a true representative of the proud Morsø tradition. The **Morsø**

2100-series has an extra wide combustion chamber, allowing the use of large-sized fuel. At the same time, the width of the doors facilitate large glass windows, allowing you to gaze at the slow crackling fire.

Heats up 60 - 120 m²



1630

Morsø 1630 has a completely traditional stove style, with its fine large door with curved glass, helping to emphasise the cosiness and create a romantic look. The stove was designed at Morsø in 1985 and has always been one of the more

popular styles. The **Morsø 1630** has a nostalgic look with added charm, making it ideal for older homes or country homes.

Heats up 60 - 150 m²



1126

Morsø 1126 is a further development of the popular classic Morsø 1124, which was designed by architect Fister Bang from Nykøbing Mors, Denmark. A popular classic, now equipped with a cool handle and a soot-free glass door. **Morsø 1126** has a high

heat output and is one of Morsø's largest convection stoves. The stove is supplied with riddling grate, ash tray and ashpan for easy ash removal.

Heats up 60 - 150 m²

1442 - ribbed



1400-SERIES

A steady beating heart. The **Morsø 1400** is the quintessence of a charming stove. It represents what was the heart of many a home, what we know and remember from our childhood. The combustion technology of these classic stoves have since then been further developed and improved so that harmful particles and surplus gases are burnt off. That's why, today, the stoves fulfil the strictest environmental requirements and also bear the Nordic Swan Eco-label. Despite all improvements in technology there are some details which remain timeless and a sign of quality, so Morsø's characteristic squirrel can still be found on the sides. It also available with contemporary ribbed sides.

Heats up 45 - 75 m²



1410



1412



1442 - squirrel



1452 - soapstone



1416



1418



1446



1448



2B Classic

MORSO



2B-SERIES

No past – no future. At the beginning of the 1930s, the sculptor, Constantin Sørensen, created this impressive radiant stove, featuring Morsø's well-known decoration of squirrel and oak leaves. Then, as today, the **Morsø 2B Classic** is in great demand, and with its almost stately appearance, the stove is perfect for patrician and farm style homes. We have completely updated the combustion technology in the **Morsø 2B Classic**, so that it now meets today's stringent environmental requirements. There's almost no better way to have a fire than with the **Morsø 2B Classic**.

Morsø has relaunched the classic cast iron wood-burning stove, **2B Standard**. With its oblong, spacious combustion chamber that can hold logs up to 45 centimetres long, this model is almost identical to the original edition from the 1930s called the »Forest Stove«. The new version has a glass door and is fitted with the latest in combustion technology, as are all Morsø stoves. The wood burning stove is available in a radiation model as well as in a convection model.

Heats up
2B Classic 90 - 150 m²
2B Standard 45 - 90 m²



2B Standard

S10-70 - wall mounted





S10-SERIES

At Morsø, our philosophy is to create the optimum combination of design, quality and materials. The **Morsø S10** range is a convincing example of this. We have developed a range of quality, steel wood-burning stoves with a focus on design. The style is light, elegant and very Scandinavian in expression. And to preserve a touch of our "roots", the new stoves also contain an element of cast iron.

Heats up 45 - 105 m²



S10-40

S11-40





S11-SERIES

The **Morsø S11** range is the epitome of simple, timeless design. When designing the stove, we attached a great deal of importance to creating an expression with exciting contrasts. Tight lines and soft curves.

Heats up 30 - 75 m²



S11-42



S11-70 - wall mounted



S11-43



S11-90

S50-SERIES

The **Morsø S50** is presented as an elegant and well-proportioned piece of furniture to dress any home. The slanting door gives the stove character and also accentuates the beautiful and generously-designed glass front. The stove's ergonomically-designed door handle remains cool during stoking and also ensures robust and precise 3-point closing of the door.

Heats up 45 - 135 m²







S80-90

The **Morsø S80-90** is designed as a picture. In the words of the designer: »A simple and distinctive picture frame, which elegantly and stylishly encloses the orange flames.« When we created this stove, one of our basic ideas was that the glass door be perceived as a floating surface that accentuates the lightness

of the design. The stove was inspired by a modern flatscreen TV, which, with its slim design and light expression, creates the illusion of a beautiful picture hanging on the wall.

Heats up 75 - 135 m²



S81

The **Morsø S81** is a compact steel stove combined with a quality cast iron door, you have come to expect from Morsø. This beautiful 4 kW insert is perfect for smaller rooms and looks great either hearth or wall mounted. With its three and four-sided trim

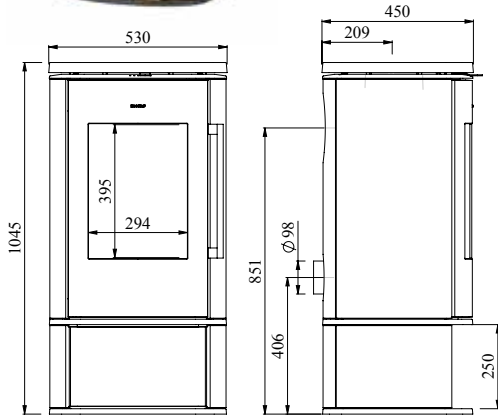
options in dark grey or brushed steel, this 88% net efficient stove will suit any home.

Heats up 30 - 75 m²

8800-SERIES



8843



Rated output 6,3 kW
 Heat output range 3 - 8 kW
 Heats up 45 - 120 m²
 Chamber size 33 cm
 Flue exit top/rear fits to Ø150 mm
 Weight 192 - 201 kg
 Efficiency 80,8%

Clearance to Combustibles

Sides 500 mm
 Rear 150 mm

Height - Height from base to the center of flue collar

8842 1045 mm - 851 mm
 8843 1045 mm - 851 mm
 8848 1131 mm - 939 mm

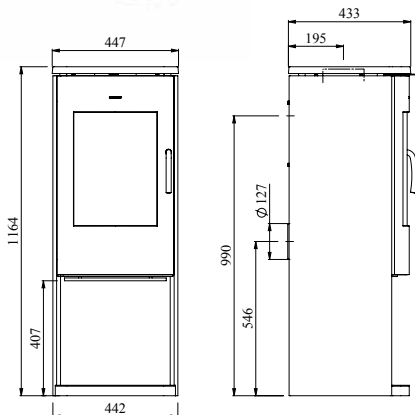
The stove is fitted with outside air kit for rear flue exit

Exploded diagrams for the remaining stoves in the series, can be found at www.morsoe.com

8200-SERIES



8243



Rated output 6,3 kW
 Heat output range 3 - 8 kW
 Heats up 45 - 120 m²
 Chamber size 33 cm
 Flue exit top/rear fits to Ø150 mm
 Weight 117 - 333 kg
 Efficiency 80,8%

Clearance to Combustibles

Sides 500 mm
 Rear 150 mm

Height - Height from base to the center of flue collar

8229 1483 mm - 1322 mm
 8243 1164 mm - 990 mm
 8259 1519 mm - 1323 mm

The stove is fitted with outside air kit for rear flue exit

Exploded diagrams for the remaining stoves in the series, can be found at www.morsoe.com

8100-SERIES

Rated output6,3 kW
 Heat output range 3 - 8 kW
 Heats up 45 - 120 m²
 Chamber size 33 cm
 Flue exit top/rear fits to Ø150 mm
 Weight 169 - 230 kg
 Efficiency 80,8%

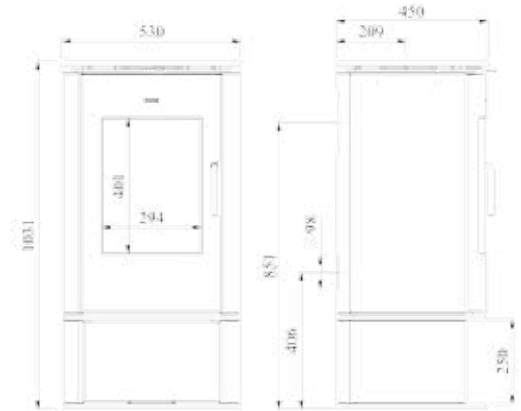
Clearance to Combustibles

Sides 500 mm
 Rear 150 mm

Height - Height from base to the center of flue collar

8140 869 mm – 689 mm
 8142 1031 mm – 851 mm
 8143 1031 mm – 851 mm
 8145 1042 mm – 831 mm
 8148 1119 mm – 939 mm
 8150 1042 mm – 831 mm
 8170 770 mm – 590 mm
 8190 1177 mm – 997 mm

The stove is fitted with outside air kit for rear flue exit



8143

7900-SERIES

Rated output7,3 kW
 Heat output range 3 - 8 kW
 Heats up 45 - 120 m²
 Chamber size 33 cm
 Flue exit top/rear fits to Ø150 mm
 Weight 159 - 204 kg
 Efficiency 79%

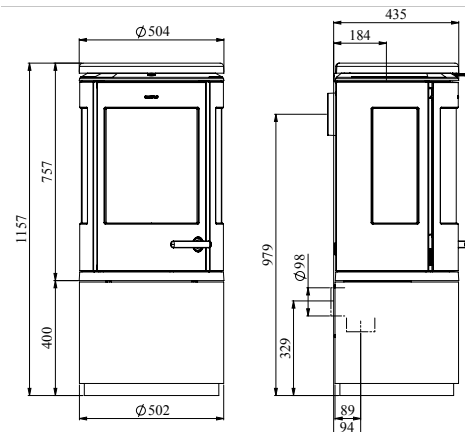
Clearance to Combustibles

Sides 700 mm
 Rear 125 mm

Height - Height from base to the center of flue collar

7940 1032 mm – 854 mm
 7943 1157 mm – 979 mm
 7948 1157 mm – 979 mm
 7950 1184 mm - 981 mm
 7970 757 mm – 589 mm
 7990 1357 mm – 1179 mm

Prepared for outside air kit for rear and bottom flue exit

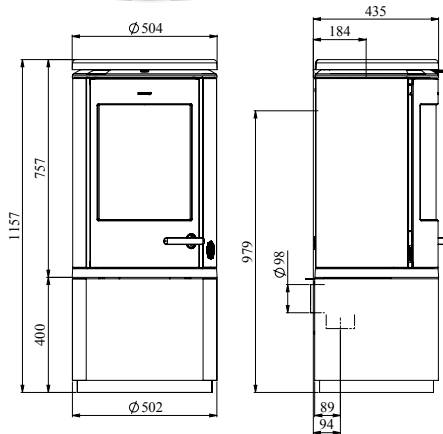


7943

7800-SERIES



7843



Rated output 7,3 kW
 Heat output range 3 - 8 kW
 Heats up 45 - 120 m²
 Chamber size 36 cm
 Flue exit top/rear fits to $\varnothing 150$ mm
 Weight 157 - 202 kg
 Efficiency 79%

Clearance to Combustibles

Sides 400 mm
 Rear 125 mm

Height - Height from base to the center of flue collar

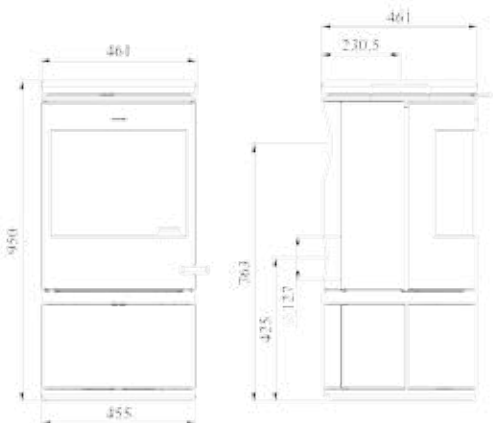
7840 1032 mm - 854 mm
 7843 1157 mm - 979 mm
 7848 1157 mm - 979 mm
 7850 1184 mm - 981 mm
 7870 757 mm - 589 mm
 7890 1357 mm - 1179 mm

Prepared for outside air kit for rear and bottom flue exit

7600-SERIES



7642



Rated output 6,2 kW
 Heat output range 3 - 8 kW
 Heats up 45 - 120 m²
 Chamber size 33 cm
 Flue exit top/rear fits to $\varnothing 150$ mm
 Weight 142 - 185 kg
 Efficiency 75,9%

Clearance to Combustibles

Sides 500 mm
 Rear 150 mm

Height - Height from base to the center of flue collar

7642 950 mm - 763 mm
 7644 1035 mm - 848 mm
 7648 1012 mm - 825 mm
 7650 972 mm - 263 mm
 7690 1150 mm - 963 mm

The stove is fitted with outside air kit for rear flue exit

7400-SERIES

Rated output.....4,3 kW
 Heat output range 3 - 7 kW
 Heats up..... 45 - 105 m²
 Chamber size 33 cm
 Flue exit top/rear fits to..... Ø150 mm
 Weight 111 - 137 kg
 Efficiency..... 78,4%

Clearance to Combustibles

Sides..... 450 mm
 Rear..... 200 mm

Height - Height from base to the center of flue collar

7440.....896 mm – 719 mm
 7442.....997 mm – 819 mm
 7443.....997 mm – 819 mm
 7448.....997 mm – 819 mm
 7470..... 696 mm – 532 mm
 7493..... 1118 mm – 940 mm

Prepared for outside air kit for rear and bottom flue exit



7440

7300-SERIES

Rated output.....4,3 kW
 Heat output range 3 - 7 kW
 Heats up..... 45 - 105 m²
 Chamber size 33 cm
 Flue exit top/rear fits to..... Ø150 mm
 Weight 111 - 137 kg
 Efficiency..... 78,4%

Clearance to Combustibles

Sides..... 450 mm
 Rear..... 200 mm

Height - Height from base to the center of flue collar

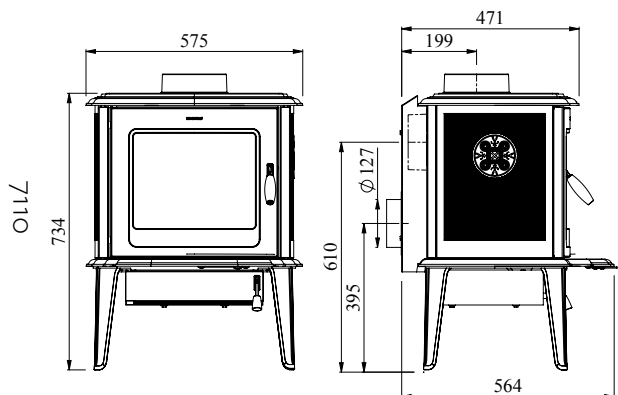
7340.....896 mm – 719 mm
 7342.....997 mm – 819 mm
 7343.....997 mm – 819 mm
 7348.....997 mm – 819 mm
 7370..... 696 mm – 532 mm
 7393..... 1118 mm – 940 mm

Prepared for outside air kit for rear and bottom flue exit



7340

7110



Rated output 5.4 kW
 Heat output range 4 - 9 kW
 Heats up 60 - 135 m²
 Chamber size 40 cm
 Flue exit top/rear fits to Ø150 mm
 Weight 145 kg
 Efficiency 00%

Clearance to Combustibles

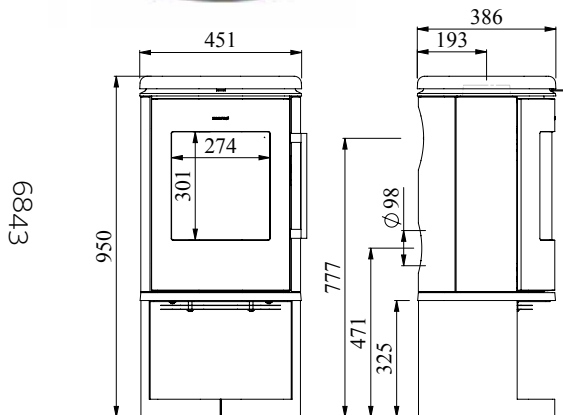
Sides 500 mm
 Rear 150 mm

Height - Height from base to the center of flue collar

7110 734 mm - 610 mm

Prepared for outside air kit for rear and bottom flue exit

6800-SERIES



Rated output 6 kW
 Heat output range 3 - 6 kW
 Heats up 45 - 90 m²
 Chamber size 33 cm
 Flue exit top/rear fits to Ø120 mm
 Weight 113 - 125 kg
 Efficiency 80,1%

Clearance to Combustibles

Sides 400 mm
 Rear 150 mm

Height - Height from base to the center of flue collar

6843 950 mm - 777 mm
 6848 950 mm - 777 mm
 6870 630 mm - 457 mm

Prepared for outside air kit for rear flue exit

6600-SERIES

Rated output 5,9 kW
 Heat output range 3 - 8 kW
 Heats up 45 - 120 m²
 Chamber size 36 cm
 Flue exit top/rear fits to Ø150 mm
 Weight 120 - 123 kg
 Efficiency 00%

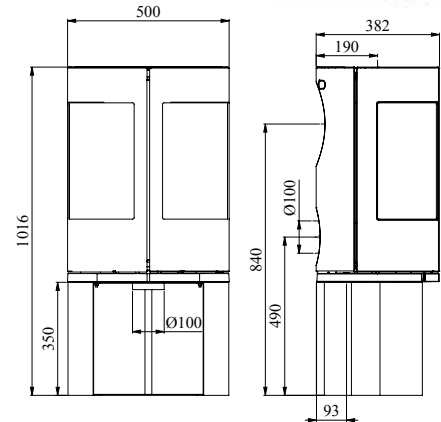
Clearance to Combustibles

Sides 550 mm
 Rear 150 mm

Height - Height from base to the center of flue collar

6643 1016 mm – 840 mm
 6670 675 mm – 500 mm

Prepared for outside air kit for rear and bottom flue exit



6643

6100-SERIES

Rated output 6 kW
 Heat output range 3 - 6 kW
 Heats up 45 - 90 m²
 Chamber size 33 cm
 Flue exit top/rear fits to Ø120 mm
 Weight 105 - 233 kg
 Efficiency 80,1%

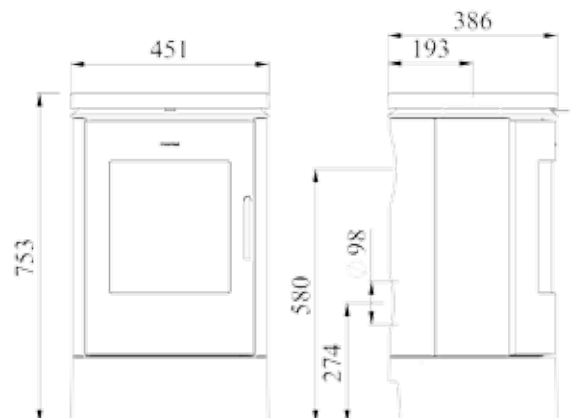
Clearance to Combustibles

Sides 400 mm
 Rear 150 mm

Height - Height from base to the center of flue collar

6140 753 mm – 580 mm
 6141 850 mm – 677 mm
 6143 944 mm – 777 mm
 6148 950 mm – 777 mm
 6150 1016 mm – 779 mm
 6170 630 mm – 457 mm
 6190 1097 mm – 930 mm

Prepared for outside air kit for rear flue exit

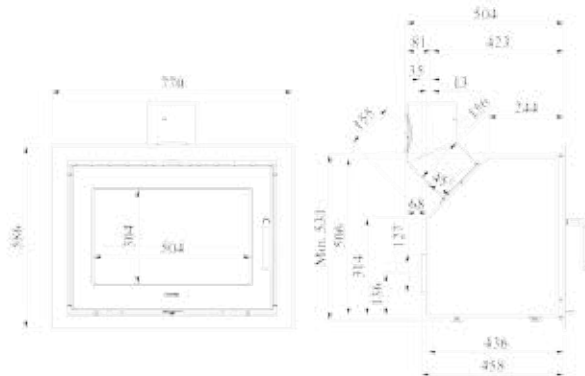


6140

5660



5660



Rated output 6,5 kW
 Heat output range 4 - 8 kW
 Heats up 60 - 120 m²
 Chamber size 50 cm
 Flue exit top/rear fits to Ø150 mm
 Weight 124 kg
 Efficiency 75%

Clearance to Combustibles

Sides 400 mm
 Rear 100 mm
 From floor 300 mm

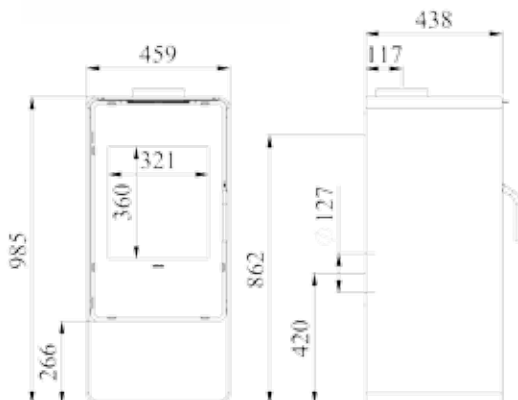
Uninsulated

Optional outside air kit available

5400-SERIES



5443



Rated output 6,2 kW
 Heat output range 3 - 8 kW
 Heats up 45 - 120 m²
 Chamber size 30 cm
 Flue exit top/rear fits to Ø120 mm
 Weight 162 - 201 kg
 Efficiency 81%

Clearance to Combustibles

Sides 400 mm
 Rear 250 mm

Height - Height from base to the center of flue collar

5443 985 mm - 862 mm

The stove is fitted with outside air kit for rear flue exit

3600-SERIES

Rated output 9 kW
 Heat output range 6 - 14 kW
 Heats up 90 - 210 m²
 Chamber size 58 cm
 Flue exit top/rear fits to Ø150 mm
 Weight 224 kg
 Efficiency 80%

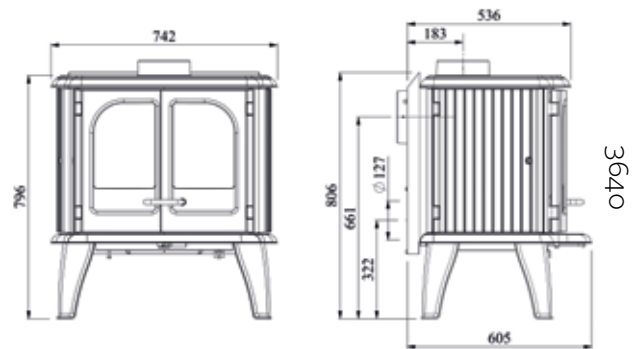
Clearance to Combustibles

Sides 400 mm
 Rear 200 mm

Height - Height from base to the center of flue collar

3610 796 mm - 661 mm
 3640 796 mm - 661 mm

Prepared for outside air kit for rear and bottom flue exit



3640

3440

Rated output 6,5 kW
 Heat output range 4 - 7 kW
 Heats up 60 - 105 m²
 Chamber size 36 cm
 Flue exit top/rear fits to Ø150 mm
 Weight 131 kg
 Efficiency 80,1%

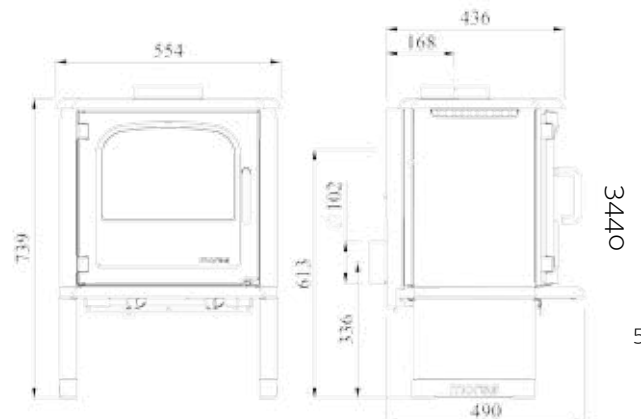
Clearance to Combustibles

Sides 350 mm
 Rear 350 mm

Height - Height from base to the center of flue collar

3440 739 mm - 613 mm

Air kit set for rear flue exit can be bought separately.



3440

3100-SERIES



Rated output 5 kW
 Heat output range 3 - 6 kW
 Heats up 45 - 90 m²
 Chamber size 30 cm
 Flue exit top/rear fits to Ø120 mm
 Weight 104 - 110 kg
 Efficiency : 81%

Clearance to Combustibles

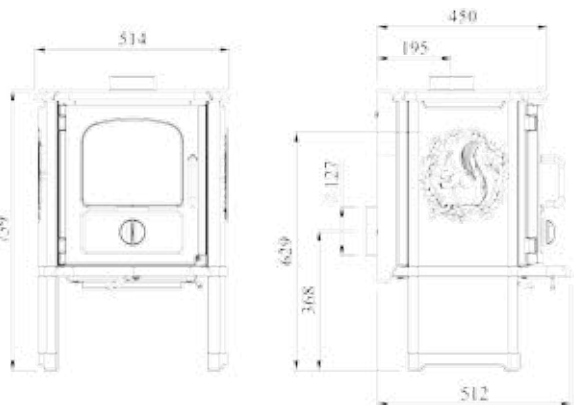
Sides 400 mm
 Rear 200 mm

Height - Height from base to the center of flue collar

3112 688 mm - 578 mm
 3142 739 mm - 629 mm

Air kit set for rear flue exit can be bought separately

3142



2100-SERIES



Rated output 2140 6 kW
 Heat output range 4 - 8 kW
 Heats up 2110 60 - 120 m²
 Chamber size 40 cm
 Flue exit top/rear fits to Ø150 mm
 Weight 125 - 141 kg
 Efficiency 76%

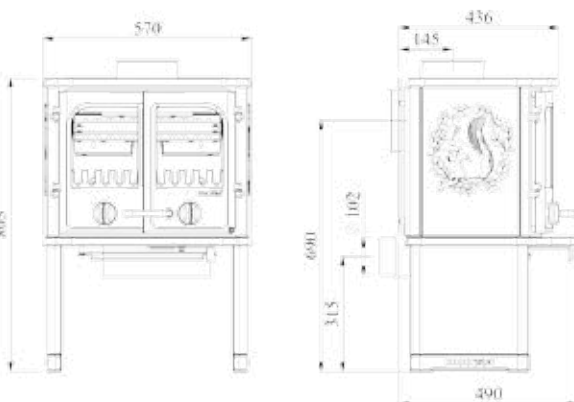
Clearance to Combustibles

Sides 400 mm
 Rear 200 mm

Height - Height from base to the center of flue collar

2110 705 mm - 590 mm
 2140 805 mm - 690 mm

2140



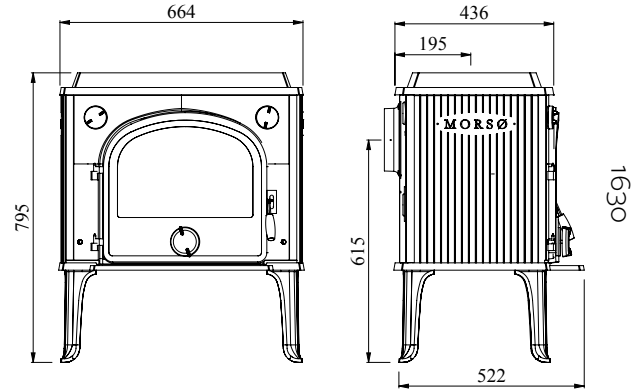
1630

Rated output 11 kW
 Heat output range 7 - 11 kW
 Heats up 100 - 160 m²
 Chamber size 52 cm
 Flue exit top/rear fits to Ø150 mm
 Weight 152 kg
 Efficiency : 00%

Clearance to Combustibles
 Sides 800 mm
 Rear 550 mm

Height - Height from base to the center of flue collar
 1630 795 mm - 615 mm

Air kit set for rear flue exit can be bought separately



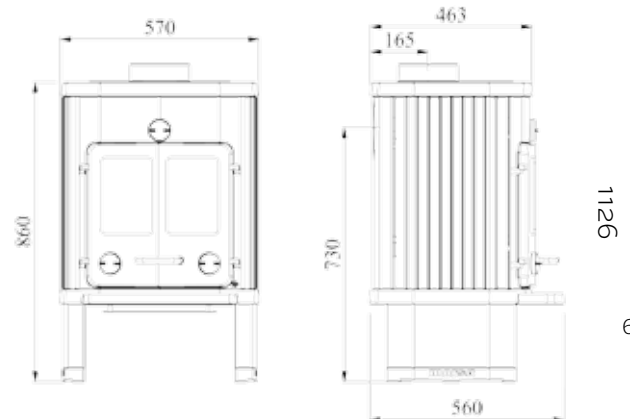
1126

Rated output 8 kW
 Heat output range 5 - 10 kW
 Heats up 75 - 150 m²
 Chamber size 35 cm
 Flue exit top/rear fits to Ø150 mm
 Weight 126 kg
 Efficiency : 80,7%

Clearance to Combustibles
 Sides 400 mm
 Rear 300 mm

Height - Height from base to the center of flue collar
 1126 860 mm - 730 mm

Optional outside air kit



1400-SERIES (1410/12/42/52)



Rated output 5 kW
 Heat output range 3 - 5 kW
 Heats up 45 - 75 m²
 Chamber size 25 cm
 Flue exit top/rear fits to Ø120 mm
 Weight 75 - 241 kg
 Efficiency : 76%

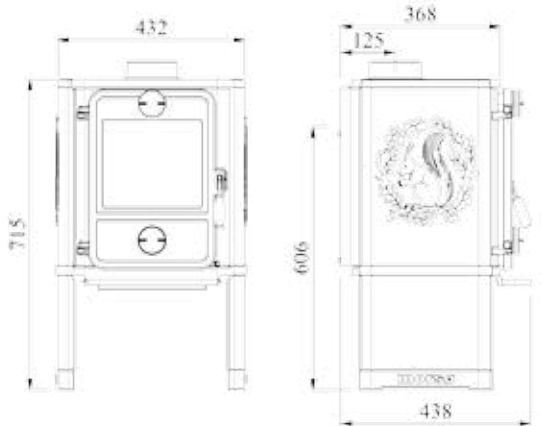
Clearance to Combustibles

Sides 300 mm
 Rear 200 mm

Height - Height from base to the center of flue collar

1410 703 mm - 594 mm
 1412 703 mm - 594 mm
 1442 715 mm - 606 mm
 1452 785 mm - 595 mm

1442



1400-SERIES (1416/18/46/48)



Rated output 5 kW
 Heat output range 3 - 5 kW
 Heats up 45 - 75 m²
 Chamber size 25 cm
 Flue exit top/rear fits to Ø120 mm
 Weight 71 - 96 kg
 Efficiency 00%

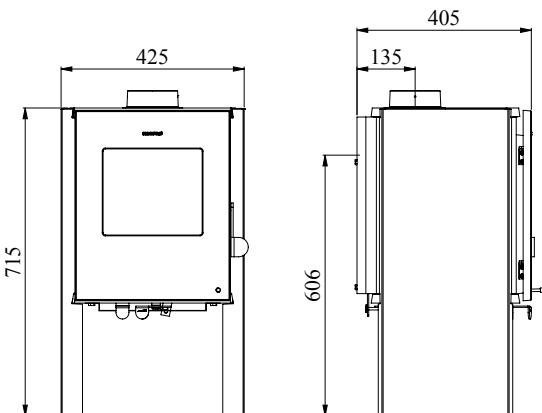
Clearance to Combustibles

Sides 300 mm
 Rear 200 mm

Height - Height from base to the center of flue collar

1416 703 mm - 594 mm
 1418 703 mm - 594 mm
 1446 715 mm - 606 mm
 1448 715 mm - 606 mm

1446



Prepared for outside air kit for rear and bottom flue exit

2B STANDARD

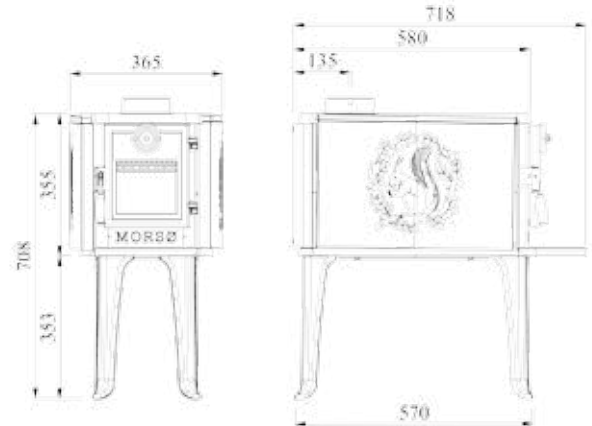
Rated output standard 5 kW
 Heat output range 3 - 6 kW
 Heats up 45 - 90 m²
 Chamber size 45 cm
 Flue exit top fits to Ø120 mm
 Weight 80 kg
 Efficiency : 60,9%

Clearance to Combustibles

Sides 400 mm
 Rear 300 mm

Height

2B Standard 708 mm



2B Standard

2B CLASSIC

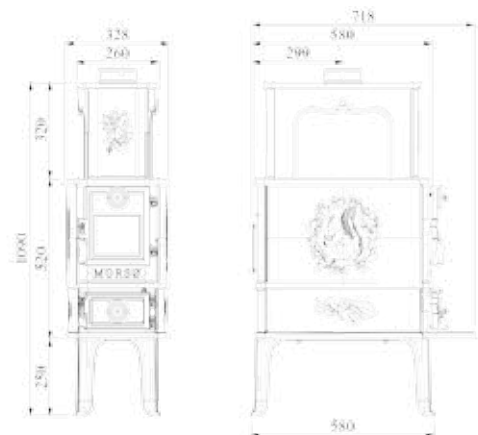
Rated output standard 8 kW
 Heat output range 6 - 10 kW
 Heats up 90 - 150 m²
 Chamber size 45 cm
 Flue exit top fits to Ø120 mm
 Weight 105 kg
 Efficiency : 75,2%

Clearance to Combustibles

Sides 850 mm
 Rear 400 mm

Height

2B Classic 1090 mm

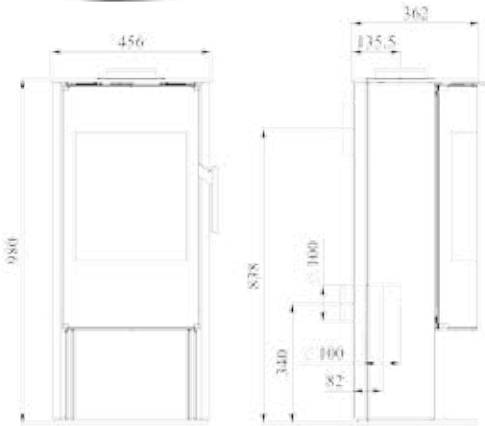


2B Classic

S10-SERIES



S10-40



Rated output 5 kW
 Heat output range 3 - 7 kW
 Heats up 45 - 105 m²
 Chamber size 33 cm
 Flue exit top/rear fits to Ø150 mm
 Weight 100 - 169 kg
 Efficiency : 78,4%

Clearance to Combustibles

Sides 400 mm
 Rear 200 mm

Height - Height from base to the center of flue collar

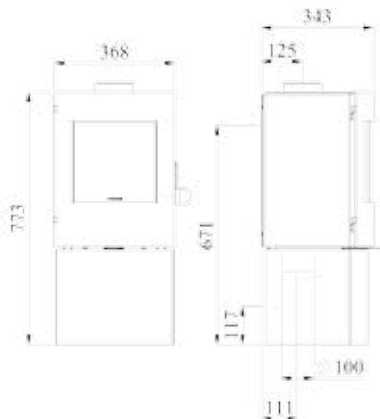
S10-40 980 mm - 838 mm
 S10-70 735 mm - 593 mm

Outside air is possible both from the rear and from the base of the stove.

S11-SERIES



S11-43



Rated output 4 kW
 Heat output range 2 - 5 kW
 Heats up 30 - 75 m²
 Chamber size 25 cm
 Flue exit top/rear fits to Ø120 mm
 Weight 73 - 95 kg
 Efficiency : 83%

Clearance to Combustibles

Sides 300 mm
 Rear 240 mm

Height - Height from base to the center of flue collar

S11-40 583 mm - 481 mm
 S11-42 585 mm - 483 mm
 S11-43 773 mm - 671 mm
 S11-70 533 mm - 431 mm
 S11-90 883 mm - 781 mm

Outside air is possible both from the rear and from the base of the stove.

S50-SERIES

Rated output 8 kW
 Heat output range 3 - 9 kW
 Heats up 45 - 135 m²
 Chamber size 35 cm
 Flue exit top/rear fits to Ø150 mm
 Weight 139 - 159 kg
 Efficiency : 78,3%

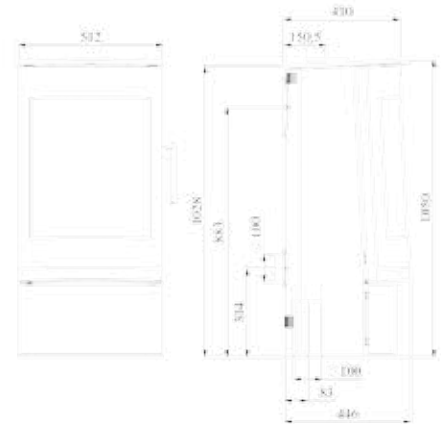
Clearance to Combustibles

Sides 500 mm
 Rear 300 mm

Height - Height from base to the center of flue collar

S50-40 1050 mm - 883 mm
 S50-45 1090 mm - 883 mm

Outside air is possible both from the rear and from the base of the stove.



S50-40

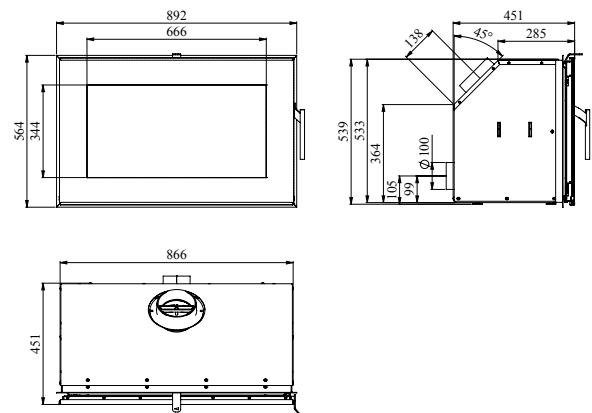
S80-90

Rated output 7 kW
 Heat output range 5 - 9 kW
 Heats up 75 - 135 m²
 Chamber size 67 cm
 Flue exit top/rear fits to Ø150 mm
 Weight 124 kg
 Efficiency : 76,7%

Clearance to Combustibles

Sides 400 mm
 Rear 200 mm
 From floor 300 mm

Outside air is possible from the rear of the stove.



S80-90

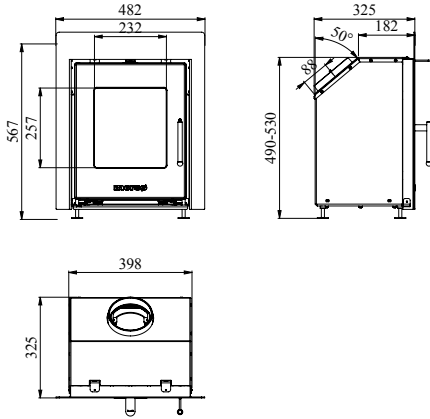
S81



Rated output..... 4 kW
Heat output range 2 - 5 kW
Heats up 30 - 75 m²
Chamber size 25 cm
Flue exit top/rear fits to..... Ø120 mm
Weight 60 kg
Efficiency :..... 88%

Clearance to Combustibles

Sides 225 mm
Rear 100 mm
From floor 150 mm


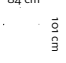
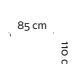
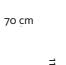


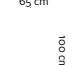
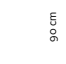
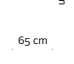






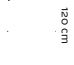

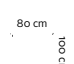
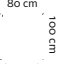

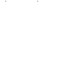





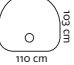



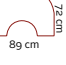
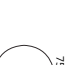

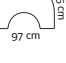
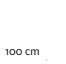
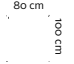
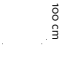



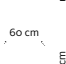
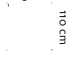





S81

HEARTH PLATE - 7900 / 7800 / 7400 / 7300



HEARTH PLATES

		GLASS HEARTH PLATE, 8 MM W/FACETED	MORSØ NO.
		Half-circle, 100 x 120 cm	62919600
		Teardrop shape, 84 x 101 cm	62919000
		Rectangular with arched front, 85 x 110 cm	62919800
		Rectangular for corner, 115 x 70 cm	62919300
		Rectangular for corner, 100 x 65 cm	62919200
		Rectangular, 90 x 70 cm	62918900
		Rectangular, 85 x 65 cm	62918800
		<i>All 8 mm will discontinue when out of stock</i>	
		GLASS HEARTH PLATE, 6 MM W/LOGO	
		Square, 100 x 100 cm	62928100
		Half-circle, 100 x 120 cm	62928200
		Teardrop shape, 110 x 130 cm	62928300
		Rectangular, 80 x 100 cm *	62929100
		Rectangular with arched front, 85 x 110 cm *	62929200
		Circle with straight rear edge, 100 x 90 cm *	62929300
		<i>* without logo</i>	
		MOVABLE GLASS HEARTH PLATE, 6 MM	
		For 61/6800: Half-circle 92 x 69 cm - not for 6140/6148	62928600
		For 6600 - black glass: Glass hearth plate with hole 110 x 103 cm	62929000
		For 6600 - transparent glass: Glass hearth plate without hole 110 x 103 cm	62928400
		For 73/7400: Half-circle 89 x 72 cm - not for 7348/7448	62929400
		For 73/7448: Half-circle 89 x 72 cm	62928800
		For 78/7900: Half-circle 97 x 75 cm - not for 7848/7948	62919900
		For 78/7948: Half-circle 97 x 75 cm	62928700
		Silicone band for glass hearth plates, 4,5 meter	79601700
		BLACK STEEL HEARTH PLATE, 2 MM	
		Rectangular, 80 x 100 cm	62901321
		Square, 100 x 100 cm	62901421
		Half-circle, 100 x 120 cm	62901521
		Teardrop shape, 110 x 130 cm	62901621
		Rectangular with arched front, 85 x 100 cm	62911721
		Circle with straight rear edge, 90 x 100 cm	62917821



We're hot for fire. One of our most important areas of expertise is the production of environmentally-aware stoves, and we happily describe ourselves as experts in combustion technology.

ORIGINAL ACCESSORIES



CURVA FIRE TOOLS



CURVA POKER



MORSØ FIREWOOD BUCKET
LARGE & SMALL

The Morsø Firewood Bucket is painted in a non-gloss powder coating that gives the bucket the same surface finish as a Morsø stove.

Large: H x Ø: 34 x 45 cm.

Small: H x Ø: 32 x 40 cm.



MORSØ CAST IRON HUMIDIFIER

Morsø cast iron kettles are available in two sizes, 2.0 liter or 4.5 liter. Made of enameled cast iron.



SIMPLICIA HUMIDIFIER

The glossy stainless steel handle contrasts to the black enameled cast iron and the grip made of solid rubber makes it safe and comfortable when moving the humidifier under all conditions.

Content 1,5 l.



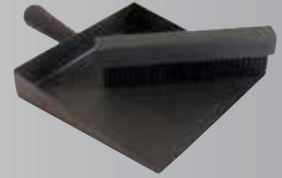
MORSØ FIREWOOD BOX

Height x Width x Length: 30 x 38 x 45 cm.
Morsø Canvas Wood Carrier is included.



MORSØ CANVAS WOOD CARRIER

Made of black canvas and has sturdy wooden handles.



MORSØ DUSTPAN & BROOM

The dustpan is 20 cm wide and functionally executed with ergonomic rubber handles.



FIREPLACE TOOL SET COMPLETE

Complete Fireplace Tool Set is very well thought out and has clean lines, making it a perfect companion to Morsø's minimalist stoves. The tools are made of quality materials with comfortable rubber grips.
H: 40 x W: 20 x D: 10,7 cm.



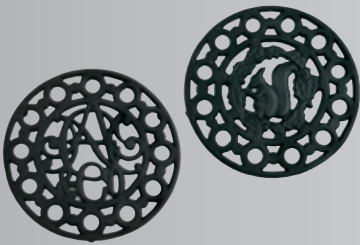
MORSØ FIRE TOOLS CLASSIC

The classic Morsø, with the Morsø squirrel. Height: 69 cm.



MORSØ ASH AND STORAGE BUCKET

This four gallon bucket comes with a tight fitting lid to ensure containment of ashes until all embers are put out.
Height x Diameter 37 x 30 cm.



MORSØ CAST IRON TRIVET

Two Morsø trivets are available: the Classic Morsø Trivet with the original Morsø trademark from the 18th century monogrammed in the center; and the new Morsø Trivet that features the ever-popular Morsø squirrel.



MORSØ LEATHER GLOVE

This protective glove is made of thick leather. The gloves are available for both left and right hand.



ASSEMBLY AND MAINTENANCE

Owning a stove is a commitment and you must take care of your Morsø stove if you want it to last a long time. In this regard we advise you to use only genuine Morsø materials for installation and regular maintenance.



LOOP LOG RING & FIREPLACE TOOL SET

The Morsø loop Log Ring incorporates a soft rubber handle for carrying comfort and a soft rubber mat/tray. Dimensions: Mat: 62 cm x 38 cm. Loop: ø 50 cm



MORSØ CONFORM FIRE TOOLS

The Morsø Conform Fire Tools, designed by Karsten Aagaard, is a modern version of the Classic Fire Tools, consisting of shovel, broom, and poker.



MORSØ ELLIPSE FIRE TOOLS

Morsø Ellipse Fire tools consist of a brush, shovel, a poker which doubles as a blower pipe and a bucket. The tools are kept in the bucket which is also suitable for gloves and matches. When cleaning out the stove the bucket is also ideal for carrying the ashes. The blower function on the poker is ideal when you want to get extra air during lighting

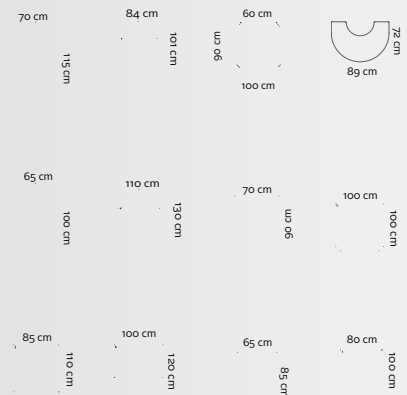
MORSØ CHILDGUARD

Efficient and elegant, this superbly constructed Morsø accessory is equipped with two side panels and wall fittings. Height x Width x Length: 70 x 110 x 110 cm.



MORSØ HEARTH PLATES

The Morsø black and steel hearth plates are made from 2 mm high-quality steel with a non-gloss finish that matches Morsø stoves. The Morsø glass hearth plate is made with 6/8 mm clear glass that has a specially beveled edge to give the hearth plate an elegant and exclusive look. The steel square and rectangle plates have slightly rounded edges.



The definition of hygge



By appointment to The Royal Danish Court

morsø